

Welcome to The Harloff Company

Colorado Springs, Colorado

Since 1951 Harloff has manufactured storage, delivery and security solutions for the healthcare environment.



PERFORMANCE

- Quality products, most delivered assembled and ready to use
- On-time delivery
- Reputation for integrity and customer satisfaction
- 12 Year Manufacturing Warranty
- Sales, Service and Manufacturing are all housed in a single facility for good communication and quick response
- All carts and cabinets featured are manufactured in the United States and are FDA certified.

WIDE SELECTION

- Comprehensive and Flexible Product line
- Multiple Styles of Standard Product for most commonly selected requirements
- Multiple price point options to match quote requirements and budgets.
- No other Medical Cart manufacturer has as complete a line of storage, delivery and security options to select from.

CUSTOM CONFIGURATIONS and DESIGNS

- Harloff can meet unique customer/end user needs
- Broad array of Custom Cart designs and standard accessories shown on our Website.
- No other Cart Provider has a portfolio of projects that demonstrates our level of in-house engineering, design flexibility, sourcing experience and fabrication skill



Casting Supply Carts

Stainless Steel

- Designed in conjunction with orthopedic technicians
- Stainless steel for Plaster of Paris clean-up
- Provide efficient and effective storage and use of casting supplies
- All Cast Carts Include:
 - Drawer with black vinyl for instruments;
 - Drawers with adjustable dividers for orthopedic soft goods
 - Stainless Steel Bucket holder with Vinyl Mat
 - Towel Bar
- Available Accessories:
 - Top Compartment for BSN or 3M fiberglass splinting material
 - Swivel Tourniquet/Pump Pole
 - Folding Side Shelf,
 - Side Storage Cabinet
 - Scissors cable



Casting Supply Carts

Painted Steel

- Painted steel (more economical option for those facilities no longer using water around these carts)
 - Durable, hard baked powder coat finish with 16 different color choices
- Same standard features, same available accessories as with stainless steel models
- Designed in conjunction with orthopedic techs
- Provide efficient and effective storage and use of casting supplies
- Internal drawer dividers arrange multiple sizes of casting supplies

What is new with our cast carts?

- Now available with key lock, break-away lock bar, or mechanical combination push-button lock



MR Conditional Carts

Standard Body Size

- MR-Conditional Carts: tested for use in the MRI Environment

- Emergency Carts with Breakaway Lock Bar
- Anesthesia Carts with Key Lock
- Specialty Accessory Packages Available

- Drawer configuration options of six or seven drawers

- Built of non-ferrous aluminum, plastic, and stainless steel for safe use in highly magnetic environments.

- Determined to be MR-Conditional according to the American Society for testing and Materials (ASTM) International, Designation: F2503-05.

- Clearly labeled with the MR Conditional icon.

MR Conditional labels used to alert the user that testing was performed and carts are safe for use in 1.5 Tesla and 3-tesla systems



MR Conditional Carts

Narrow Body Size

- Narrow design allows for required medical storage in smaller MRI Suites
- Tested safe for use in the MRI Environment
 - Emergency Carts with Breakaway Lock Bar
 - Anesthesia Carts with Key Lock
 - Specialty Accessory Packages Available
- Drawer configuration options of six or seven drawers
- Built of non-ferrous aluminum, plastic, and stainless steel for safe use in highly magnetic environments.
- Determined to be MR-Conditional according to the American Society for testing and Materials (ASTM) International, Designation: F2503-05.
- Clearly labeled with the MR Conditional icon.
MR Conditional labels used to alert the user that testing was performed and carts are safe for use in 1.5 Tesla and 3-tesla systems



Malignant Hyperthermia Carts

Malignant Hyperthermia is a rare life-threatening condition that is usually triggered by exposure to certain drugs used for general anesthesia, resulting in a hypercatabolic state with high body temperature, increased heart rate and breathing rate, and increased carbon dioxide production.

- MH Cart Used in: OR suites, Level 1 Trauma units, Surgery Centers
- Cart can hold critical MH emergency supplies at the proper temperature in close proximity to areas where they are most likely needed
- Breakaway locks allow for immediate access
- Drawers offer storage for dantrolene, (the only known antidote to MH), and supplies needed for supportive therapy directed at correcting hyperthermia and organ dysfunction.
- Compartment with Pre-Installed Refrigerator 1.6 cu ft refrigerator/freezer (for storage of glycol packs and chilled saline IV solutions)
- Basic model or Specialty Package version available which includes:
 - Side-Mounted Drop Shelf
 - IV Pole
 - Top Rail/Push Handle
 - Full Drawer Tray Organizer
- **Now available with 220 volt refrigerators and Celsius Digital Thermometer**



Infection Control Carts Isolation Stations

Features and Benefits of ISO6548 and ISO6550

- Unique design created in conjunction with Dr. Johanning -makes following hygiene / isolation practices easier and less time consuming
- Available in standard cart size or smaller reduced dimensions to keep cart un-obtrusive in patient hallways
- Open well design
- Lower storage cabinet with door and adjustable shelf
- Glove box holder
- Mounting for hand sanitizer
- Side mounted drop shelf
- Adjustable coat and hat rack
- Antimicrobial paint with Silver Ion technology
- Patent Protection



Infection Control Personal Protective Equipment

Features and Benefits of ISO2800

- Wall / Door Mount Isolation Station
- One deep standard size gown holder
- One space for two boxes of gloves
- Miscellaneous holder for face masks, shoe covers, or caps or face masks with splash guards
- Saves floor space - no more carts getting in the way of patient flow
- Durable metal construction compared to plastic alternative
- Flexibility of design allows for customization
- Silver ion antimicrobial paint available



Cassette Carts – UL20CS

Improve Control Over Your Medication Distribution and Inventory System with Harloff's Secure Cassette Cart

Features and Benefits

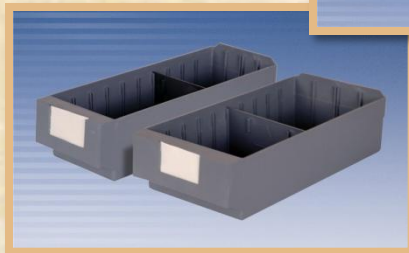
- Created for the International Healthcare setting, and competitively priced
- High Quality, Durable Construction—Made in the USA
- Pull-out shelves and recessed folding handle make the locking aluminum cassettes ideal for medication transfer
- Separately keyed locking cassettes with patient bin drawers and dividers
- High utility Medeco® locks on cart and cassette locking systems
- Modern, aesthetic design with rounded corners
- Available in three cart heights
- Can be constructed of Aluminum or Steel
- Stabilizing pontoon bumpers
- Built-in pull-out side shelf
- Compatible with a large selection of accessories



Cassette Carts

Optimal Aluminum

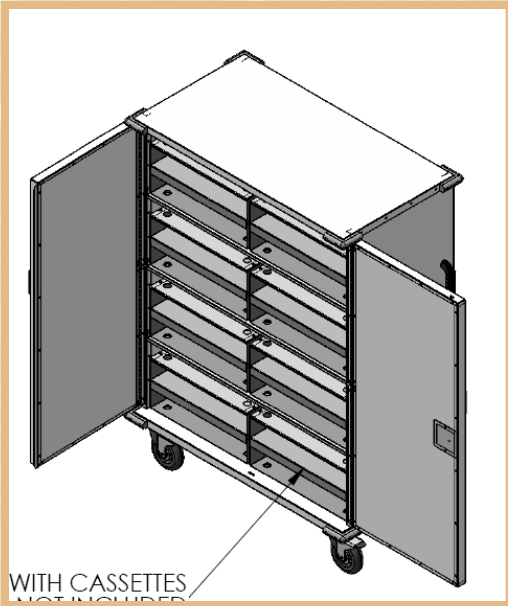
- Aluminum Cart Construction
- Contemporary design with rounded corners
- Capacity 12-28 bins / patient drawers
- Choice of 4.2 inch or 5.6 inch wide patient bin drawers
- Bin drawers include dividers and labels
- Light-weight aluminum cassettes with built in handle. Available in single-tier or double-tier sizes
- Exchange cassette packages available
- Central point locking secures bins and storage drawers into place from single and accessible location
- Separately locking narcotics drawers available
- Self-closing, full extension ball-bearing drawer slides (within an inch of being shut, drawers will close automatically)
- Pull-out side shelf
- Side storage compartment



Cassette Carts

Economy Line – EL24CS

- Economical option to aluminum carts
- Steel construction
- Single large cassette secured by locking door
- Cassette rests on pull-out shelf for easy removal
- Side pull-out shelf
- Storage Drawers below for liquids, charting and miscellaneous supplies



ELCASS-TRANS

- New transfer cart for secure exchange of cassettes (designed for use with Optimal cassette carts)

Medication Carts for Various Packaging and Dispensing Systems



- Med Bin Carts
 - Medication Patient Bin Drawer rest in drawers – for those facilities that do not require cassette exchange systems
- Punch Card Medication Carts
- Unit Dose Med Box Carts

Narcotics and Medicine Cabinets

- Large variety to choose from
 - Sizes have wide range in height, depth and width
 - Choose from Stainless Steel or Painted Steel models
 - Both single door and double door configurations in most sizes
 - Single lock and dual locking
 - Key locking and mechanical combination push-button lock models available
- Secure designs comply with local government regulations
- Tubular Pick Resistant Locks are coded in a non-repeating sequence
- Competitively Priced
- New and Improved QuickShip Program
- Now comes with 4 keys per lock



Narcotics and Medicine Cabinets

Light Alarm Upgrade

LUMEN, Strobe Light Alarm Upgrade

- As shown on 2720-LUMEN
- Available on all large and medium sized Harloff narcotics cabinets
- Addresses the need for a visual cue when door of narcotics cabinet is left open
- Red Strobe Light Alarm
- Automatically activated when outside door is opened
- Battery powered by 9-12 Volt DC
- 2.5 inch diameter

